



# SCG-150

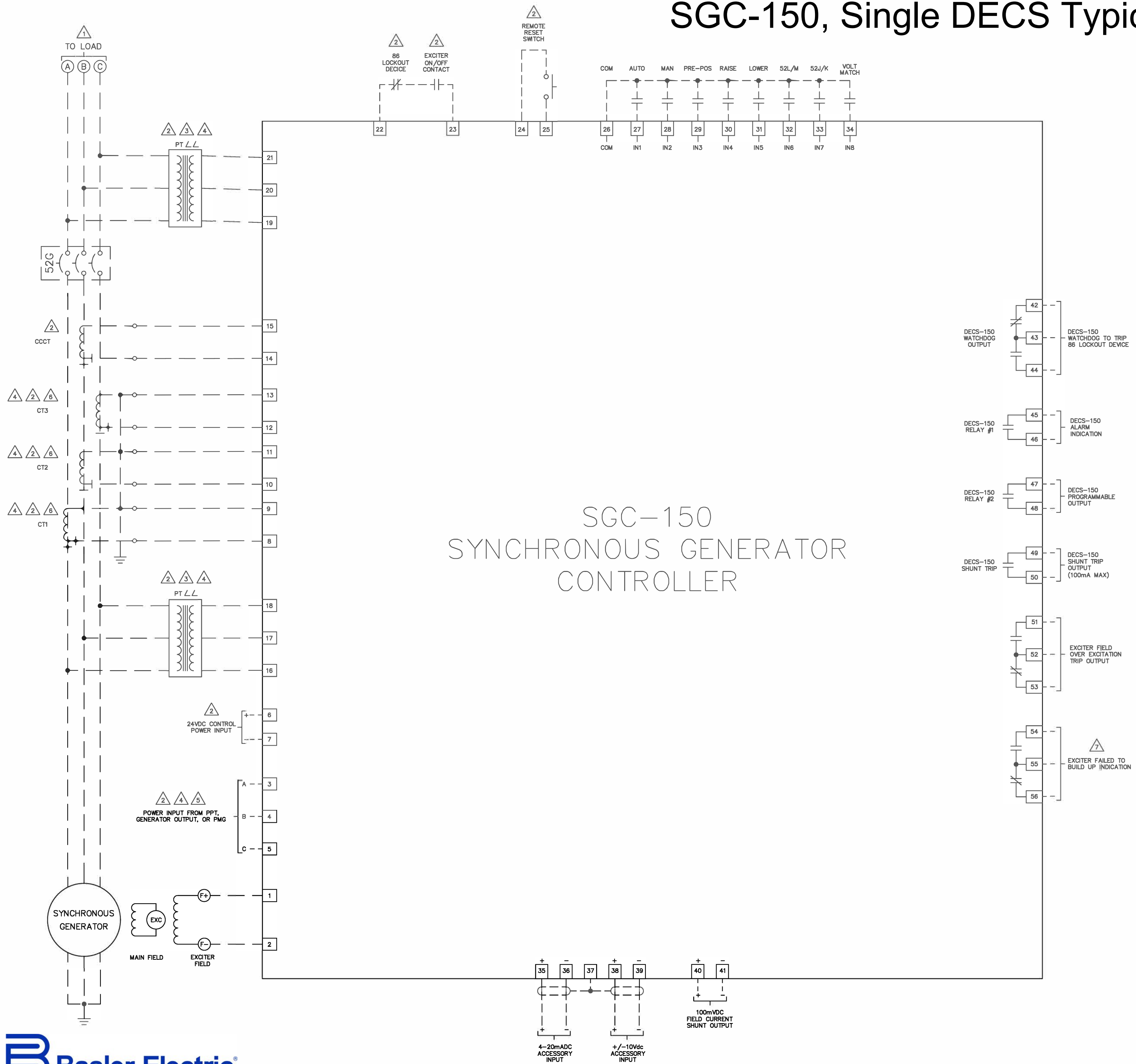
## Single DECS Typical Connections

This publication contains confidential information of Basler Electric Company, an Illinois corporation. It is loaned for confidential use, subject to return on request, and with the mutual understanding that it will not be used in any manner detrimental to the interests of Basler Electric Company and used strictly for the purpose intended.

[www.basler.com](http://www.basler.com)



# SGC-150, Single DECS Typical Connections



## SGC-150 SYNCHRONOUS GENERATOR CONTROLLER

### NOTES:

- ① PHASE SEQUENCE: A,B,C.
- ② ITEM NOT SUPPLIED BY BASLER.
- ③ 3PH SENSING CONFIGURATION SHOWN.
- ④ CONFIGURABLE FOR SINGLE AND THREE PHASE.
- ⑤ INPUT VOLTAGE SHOULD BE CHOSEN TO MATCH FIELD VOLTAGE REQUIREMENTS. SEE DECS-150 INSTRUCTION MANUAL FOR ADDITIONAL INFORMATION.
- ⑥ CTS ARE 1A OR 5A SECONDARY AS INDICATED BY THE STYLE NUMBER OF SGC-150.
- ⑦ AVAILABLE ON SGC-150 WITH FIELD FLASHING.